

SMA Connector

SMA connectors are very popular thread coupling miniature coaxial connectors which satisfy quality standards and are characterized by high durability, high mechanical stability, long life and optimum electrical properties. The connectors are available in various classes for different applications with outer conductors in different materials and therefore with different price levels.

◆ Features

Interface and quality tested according to IEC 60169-15.

Frequency range up to 18GHz

VSWR(straight connector): ≤ 1.05 typ.

Optimal electrical characteristics

High quality standard

Reliable and long service life

◆ Applications

Cable connectors (straight and right angle) for flexible, semi-flex and semi-rigid cables

PCB connectors (straight and right angle)

Panel connectors in various flanges for solder,stripline and microstrip types

Terminations

Adaptors

Tools and Accessories

Specifications

Electrical Characteristics

Impedance	50 Ω
Frequency range	0~18GHz
VSWR	$\leq 1.1 + 0.02 * f$ (GHz)
Insulation resistance	$\geq 5000M\Omega$
Center contact resistance	$\leq 3.0m\Omega$
Outer contact resistance	$\leq 2.0m\Omega$
Withstand voltage	1000 V rms
Working voltage	480V
RF-leakage(dB)	$\geq 100dB@1GHz$

Mechanical Characteristics

Coupling torque	0.8Nm~1.1Nm
Coupling nut retention	$\geq 180N$
Center contact captivation	22N
Center contact retention force	$\geq 0.28N$
Mating cycles	≥ 500



Specialized manufacturer of RF connector & Cable assemblies

TEL:+86-519-88795138 FAX:+86-519-88522108

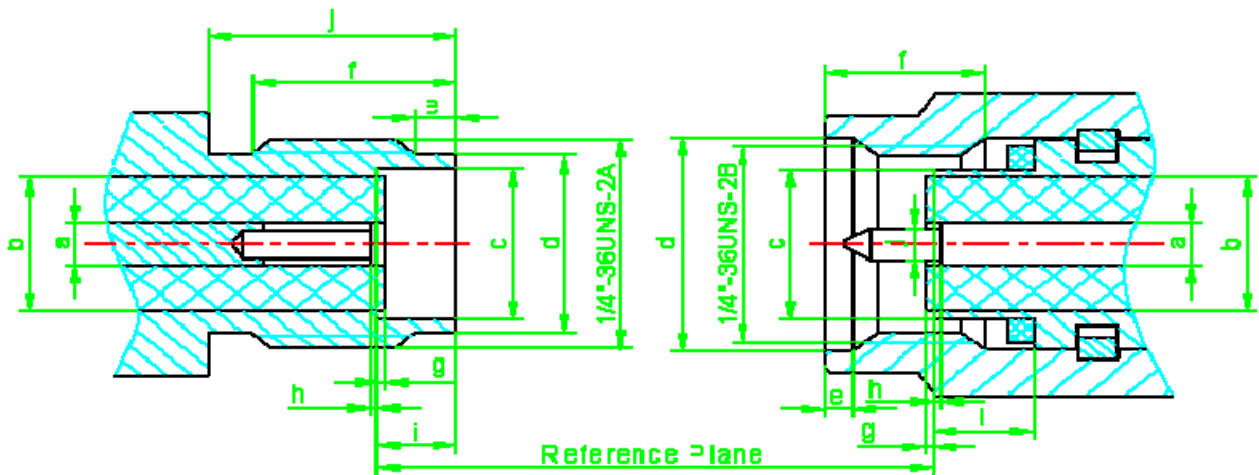
www.xinsheng-elec.com

Sales@xinsheng-elec.com

Environmental Data	
Temperature range	-55°C~+155°C
Moisture resistance	IEC 61169-1,Subclause9.4.3
Rapid change of temperature	IEC 61169-1,Subclause9.4.4
Vibration	IEC 61169-1,Subclause9.3.3
Shock	IEC 61169-1,Subclause9.3.14
Corrosion resistance	IEC 61169-1,Subclause9.4.6

Materials	
Body	CuZn/ Au plating
Outer contact	CuZn/ Au plating
Center contact	CuZn/CuBe/ Au plating
Insulator	PPTFE

Interface Dimensions



SMA(50ohm) Series				
Code	Male (Plug)		Female (Jack)	
	Min	Max	Min	Max
A	1.245	1.295	1.245	1.295
B		4.178		4.178
C	4.6	4.67		4.59
D	5.28	5.49	6.35	
E	0.38	1.14	0.38	1.14
F	4.32		2.54	
G	0.05	-0.18	0.05	-0.18
H	0	0.41	0	
I	1.88	1.98		
J	5.54		0.902	0.94

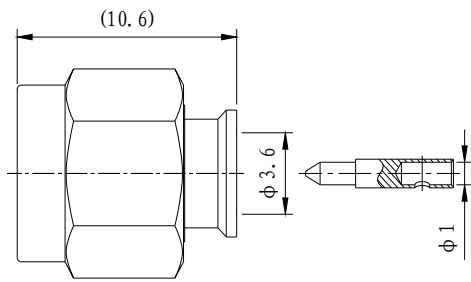
- 1) Contact diameters refer to 50 Ohm.
- 2) Resilient, dim. to meet electrical and mechanical requirements
- 3) All dimensions are in mm, tolerance according to ISO2768 m-H.



Specialized manufacturer of RF connector & Cable assemblies

TEL:+86-519-88795138 FAX:+86-519-88522108 www.xinsheng-elec.com Sales@xinsheng-elec.com

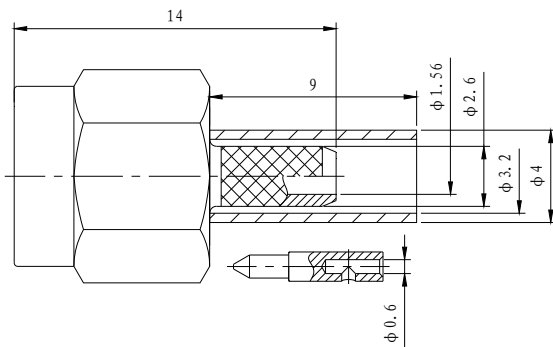
Cable Connectors



SMA-JB3

Part No: 5070004

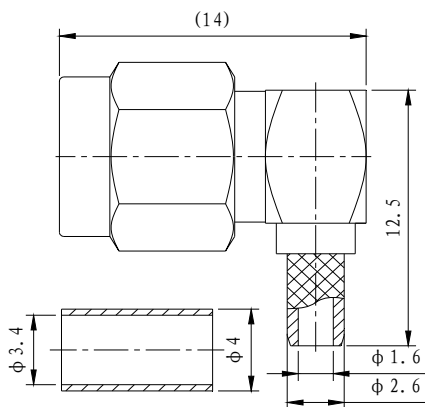
Inner conductor	Brass(Gold plating)
Outer conductor	Brass(Gold plating)
Insulator	PTFE



SMA-J316

Part No: 5070277

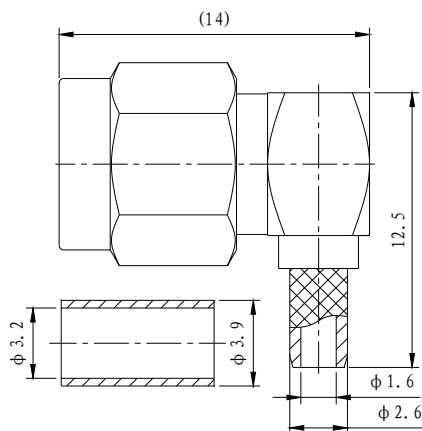
Inner conductor	Brass(Gold plating)
Outer conductor	Brass(Gold plating)
Insulator	PTFE



SMA-JW316D

Part No: 5070271

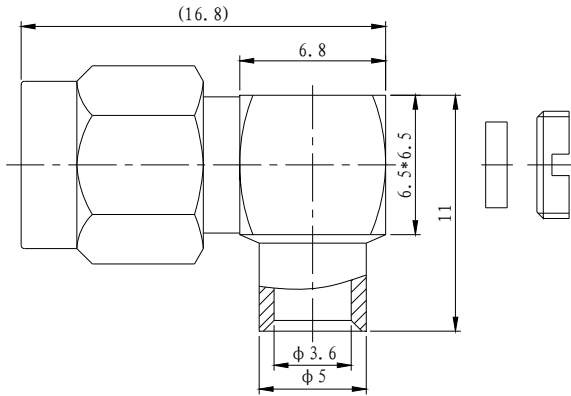
Inner conductor	Brass(Gold plating)
Outer conductor	Brass(Gold plating)
Insulator	PTFE



SMA-JW316

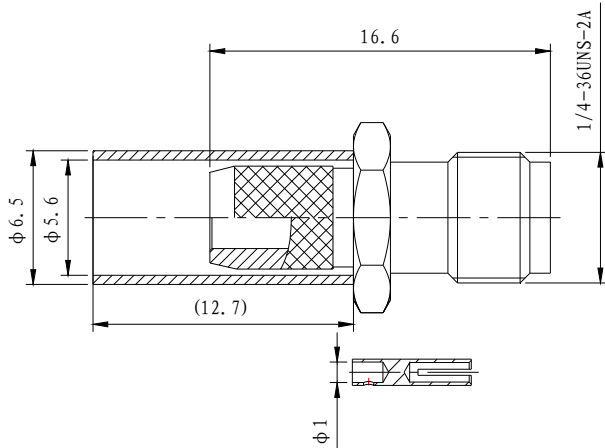
Part No: 5070273

Inner conductor	Brass(Gold plating)
Outer conductor	Brass(Gold plating)
Insulator	PTFE



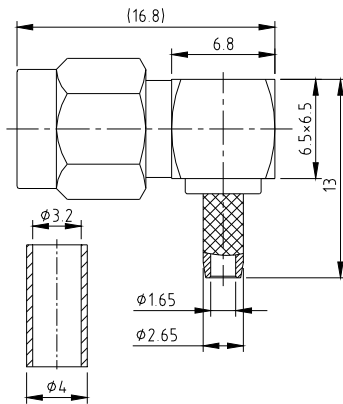
SMA-JWB3

Part No: 5070294
 Inner conductor Brass(Gold plating)
 Outer conductor Brass(Gold plating)
 Insulator PTFE



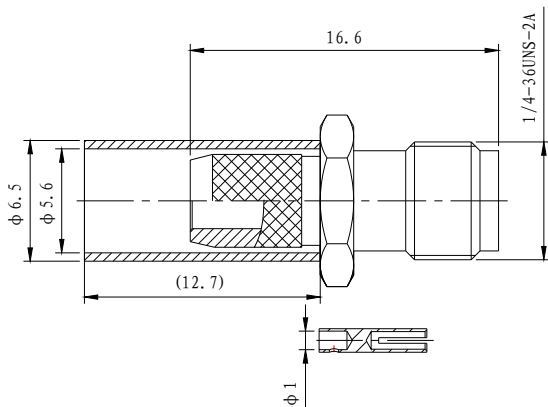
SMA-K5

Part No: 5070269
 Inner conductor Beryllium copper(Gold plating)
 Outer conductor Brass(Gold plating)
 Insulator PTFE



SMA-KW3

Part No: 5070250
 Inner conductor Brass(Gold plating)
 Outer conductor Brass(Gold plating)
 Insulator PTFE



SMA-K5

Part No: 5070269
 Inner conductor Beryllium copper(Gold plating)
 Outer conductor Brass(Gold plating)
 Insulator PTFE

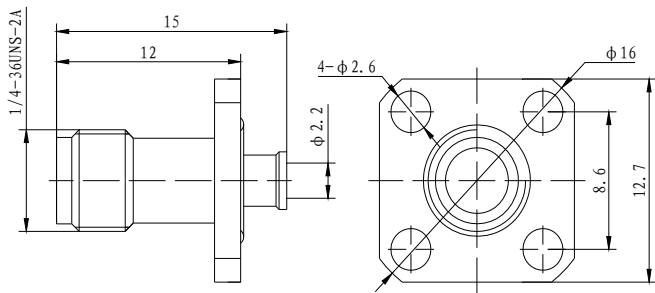


Specialized manufacturer of RF connector & Cable assemblies

TEL:+86-519-88795138 FAX:+86-519-88522108

www.xinsheng-elec.com

Sales@xinsheng-elec.com

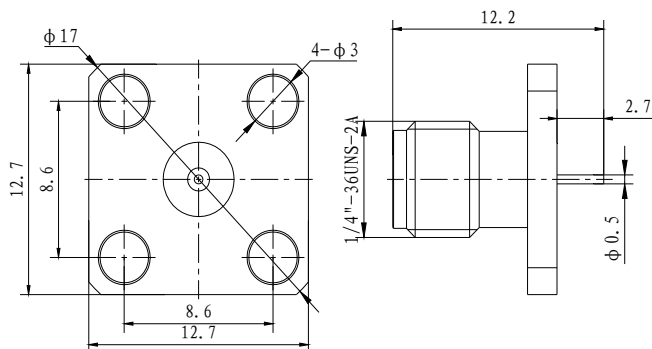


SMA-KFB2

Part No: 5070312

Inner conductor Brass(Gold plating)
 Outer conductor Brass(Gold plating)
 Insulator PTFE

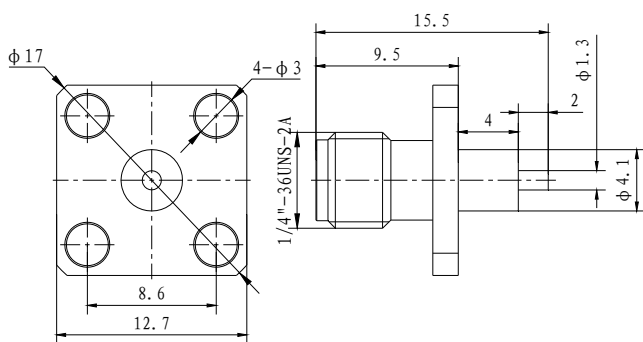
Microstrip Connector



SMA-KFD-2.7

Part No: 5070291

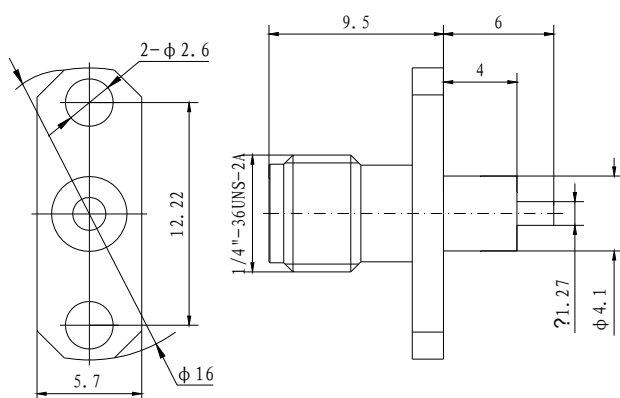
Inner conductor Brass(Gold plating)
 Outer conductor Brass(Gold plating)
 Insulator PTFE



SMA-KFD5

Part No: 5070265

Inner conductor Brass(Gold plating)
 Outer conductor Brass(Gold plating)
 Insulator PTFE



SMA-KFDB

Part No: 5070286

Inner conductor Brass(Gold plating)
 Outer conductor Brass(Gold plating)
 Insulator PTFE

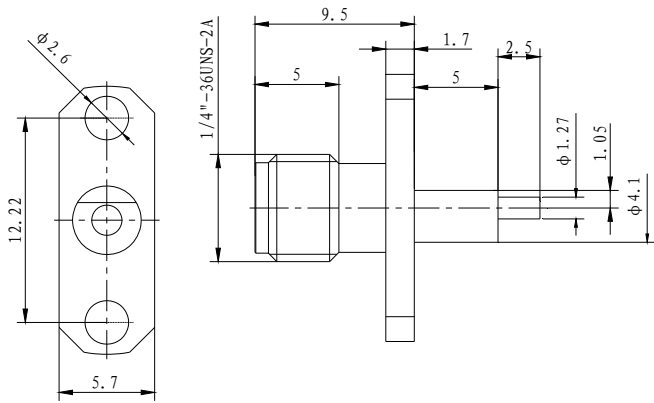


Specialized manufacturer of RF connector & Cable assemblies

TEL:+86-519-88795138 FAX:+86-519-88522108

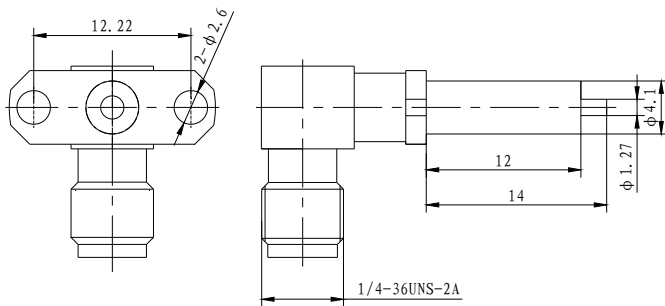
www.xinsheng-elec.com

Sales@xinsheng-elec.com



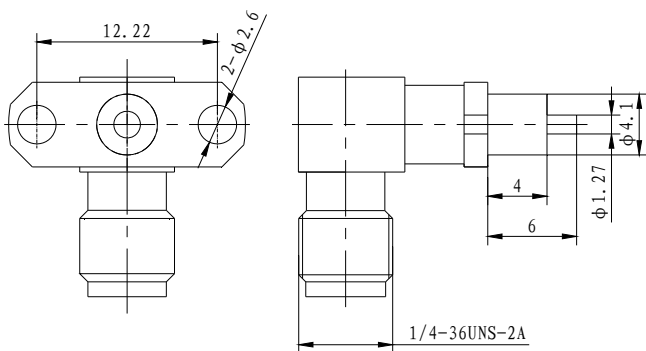
SMA-KFD-010

Part No: 5070316
 Inner conductor Brass(Gold plating)
 Outer conductor Brass(Gold plating)
 Insulator PTFE



SMA-KWFDB

Part No: 5070287
 Inner conductor Brass(Gold plating)
 Outer conductor Brass(Gold plating)
 Insulator PTFE



SMA-KWFDC

Part No: 5070288
 Inner conductor Brass(Gold plating)
 Outer conductor Brass(Gold plating)
 Insulator PTFE

Note:The CAD drawings above are for reference only, We can supply customized cost deduction solutions.



Specialized manufacturer of RF connector & Cable assemblies

TEL:+86-519-88795138 FAX:+86-519-88522108

www.xinsheng-elec.com

Sales@xinsheng-elec.com